

DASH #	VOLTAGE (V)	COIL @25°C (CLASS C)
-1	5	30Ω
-2	12	225Ω
-3	24	360Ω

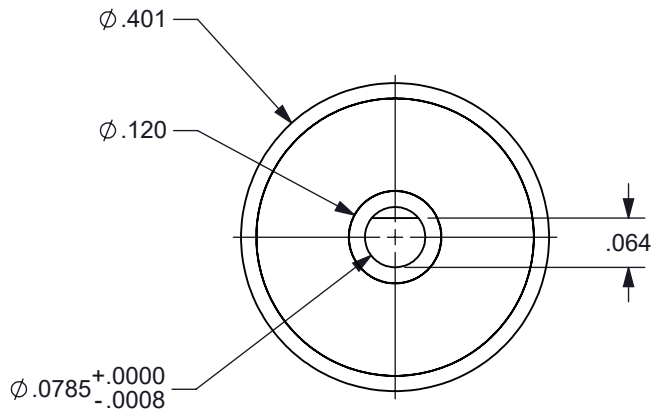
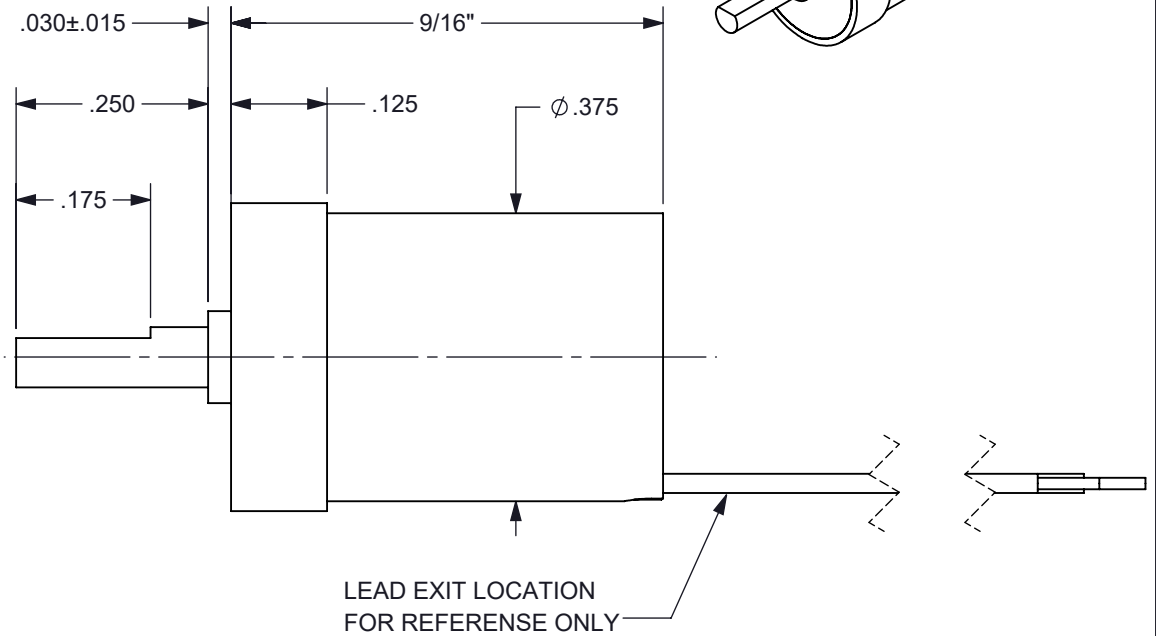


FIGURE 1



SPECIFICATIONS

- | | |
|---------------------|--|
| 1. PRODUCT TYPE | BI-STABLE SOLENOID LOW OUTGAS |
| 2. TEMPERATURE | -40°C TO +65°C OPERATING RANGE |
| 3. TRAVEL | 45 ± 2° CW FROM POSITION SHOWN IN FIGURE 1 |
| 4. ROTATION | CW / RED (+) BLACK (-) |
| 5. VOLTAGE | SEE CHART ABOVE |
| 6. COIL | SEE CHART ABOVE |
| 7. LEADS | RED AND BLACK 30 ET TEFLON INSULATED WIRE PER M16878/6 |
| 8. LEAD LENGTH | 12" MIN STRIPPED AND TINNED 1/4" ± 1/8" |
| 9. LEAD EXIT | LEAD EXIT TO BE FILLED WITH GREY EPOXY 3M 2216 |
| 10. HOUSING MARKING | BRANDSTROM, P/N DATE CODE |
| 11. HOUSING FINISH | BLACK ANODIZE PER MIL-A-8625F, TYPE II, CLASS II |

PROPRIETARY DOCUMENT

DIMENSION TOLERANCES UNLESS OTHERWISE SPECIFIED		Brandstrom Instruments		
ANGLES	± 1°			
FRACTIONS	± 1/32	3 PLACES	± .005	DRAWN: P.T.
1 PLACE	± .015	4 PLACES	± .0005	
MATERIAL:	SEE SPECS	DATE: 01/20/21	SCALE: NONE	APPROVED: T.G.A.
FINISH:	SEE SPECS	TITLE: BI-STABLE SOLENOID		
DWG NO:	A1438	SHEET:	1 of 1	REV: